

# Precision Test Probe

**Part No.: WLP-1220**

**6GHz Precision Test Probe**

(Ref # MM126310 for Coaxial Connectors MM8030-2610)



## Features

- High Durability
- Low Return Loss

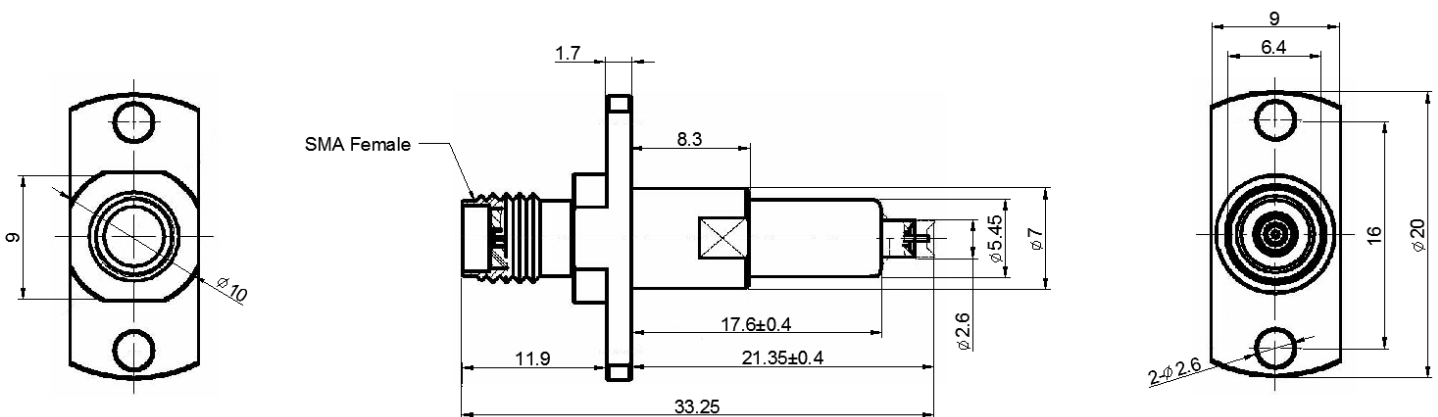


Specification	
Frequency :	6GHz
VSWR:	1.5: 1 (MAX.)
Impedance:	50Ω
Connector Type:	Ref # Murata mm126310 to SMA Female

No	Description	Material	Q'ty	Finish
01	Body	Stainless	1	
02	Insulator	Teflon	3	
03	Center Pin	Phosphor Bronze	1	Gold
04	Spring	SWP	1	Gold
05	Center Pin	Beryllium Copper	1	Gold
06	Body	Brass	2	Gold
07	Spring	SWP	1	Nickel

## Outline Drawing

Units: mm



**Dimension Tolerance: ±0.2 mm**